

# Suporte central tipo Pétala TPC

## TPC 105 / 1 · 0

MODELO	ØT	ØS	ØE
TPC105/1-0.10.60.48	60	76	48
TPC105/1-0.10.60.60	60	76	60
TPC105/1-0.10.76.48	76	101	48
TPC105/1-0.10.76.60	76	101	60
TPC105/1-0.10.89.48	89	114	48
TPC105/1-0.10.89.60	89	114	60
TPC105/1-0.10.101.48	101	139	48
TPC105/1-0.10.101.60	101	139	60
TPC105/1-0.10.114.48	114	139	48
TPC105/1-0.10.114.60	114	139	60

## TPC 105 / 2 · 180

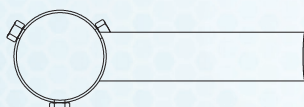
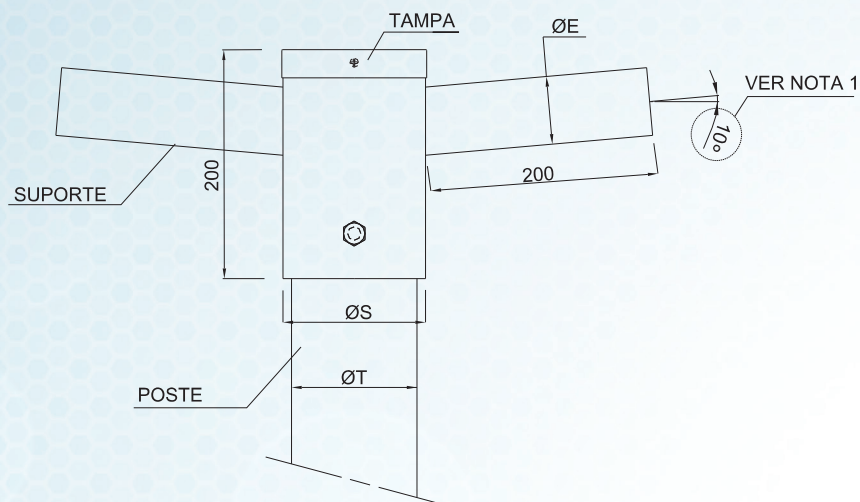
MODELO	ØT	ØS	ØE
TPC105/2-180.10.60.48	60	76	48
TPC105/2-180.10.60.60	60	76	60
TPC105/2-180.10.76.48	76	101	48
TPC105/2-180.10.76.60	76	101	60
TPC105/2-180.10.89.48	89	114	48
TPC105/2-180.10.89.60	89	114	60
TPC105/2-180.10.101.48	101	139	48
TPC105/2-180.10.101.60	101	139	60
TPC105/2-180.10.114.48	114	139	48
TPC105/2-180.10.114.60	114	139	60

## TPC 105 / 3 · 120

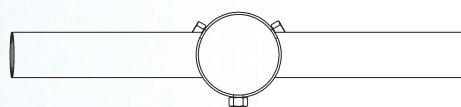
MODELO	ØT	ØS	ØE
TPC105/3-120.10.60.48	60	76	48
TPC105/3-120.10.60.60	60	76	60
TPC105/3-120.10.76.48	76	101	48
TPC105/3-120.10.76.60	76	101	60
TPC105/3-120.10.89.48	89	114	48
TPC105/3-120.10.89.60	89	114	60
TPC105/3-120.10.101.48	101	139	48
TPC105/3-120.10.101.60	101	139	60
TPC105/3-120.10.114.48	114	139	48
TPC105/3-120.10.114.60	114	139	60

## TPC 105 / 4 · 90

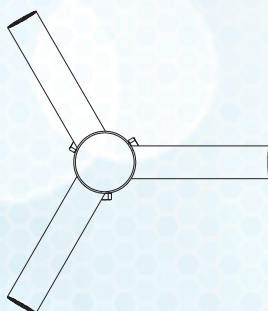
MODELO	ØT	ØS	ØE
TPC105/4-90.10.60.48	60	76	48
TPC105/4-90.10.60.60	60	76	60
TPC105/4-90.10.76.48	76	101	48
TPC105/4-90.10.76.60	76	101	60
TPC105/4-90.10.89.48	89	114	48
TPC105/4-90.10.89.60	89	114	60
TPC105/4-90.10.101.48	101	139	48
TPC105/4-90.10.101.60	101	139	60
TPC105/4-90.10.114.48	114	139	48
TPC105/4-90.10.114.60	114	139	60



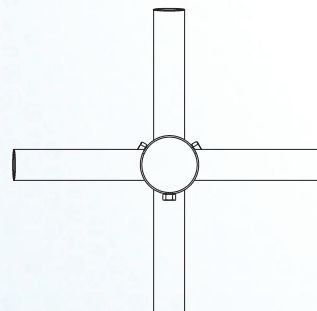
TPC-105/1-0



TPC-105/2-180



TPC-105/3-120



TPC-105/4-90

Suportes para luminárias fabricados em tubos de aço para fixação em topo de poste reto de diversos diâmetros.

**Acabamento:** galvanizado a fogo

NOTAS: 1. Outros ângulos de inclinação a pedido.